

Recognition of Personality Traits using Word Vector from Reflective Context

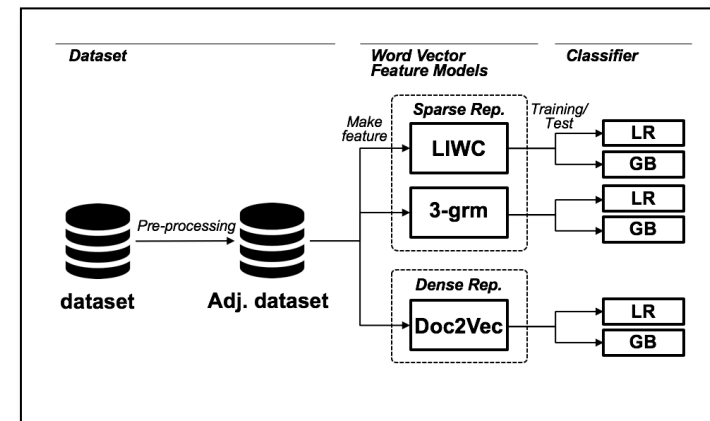
Hyeonuk Bhin and Yoonseob Lim

Center for Intelligent & Interactive Robotics, KIST, Korea

Jongsuk Choi

Center for Intelligent & Interactive Robotics, KIST, Korea

- We proposed a way to model the user's personality with a small number of contexts based on personal SNS post data.
- We compared and analyzed various combination of word vector and classifier to optimize performance.
- We find that our model achieves f1-scores 0.72 and 0.74 in unimodal and multimodal case respectively for Big-5 personality traits.



Series of processes for creating a personality recognition model